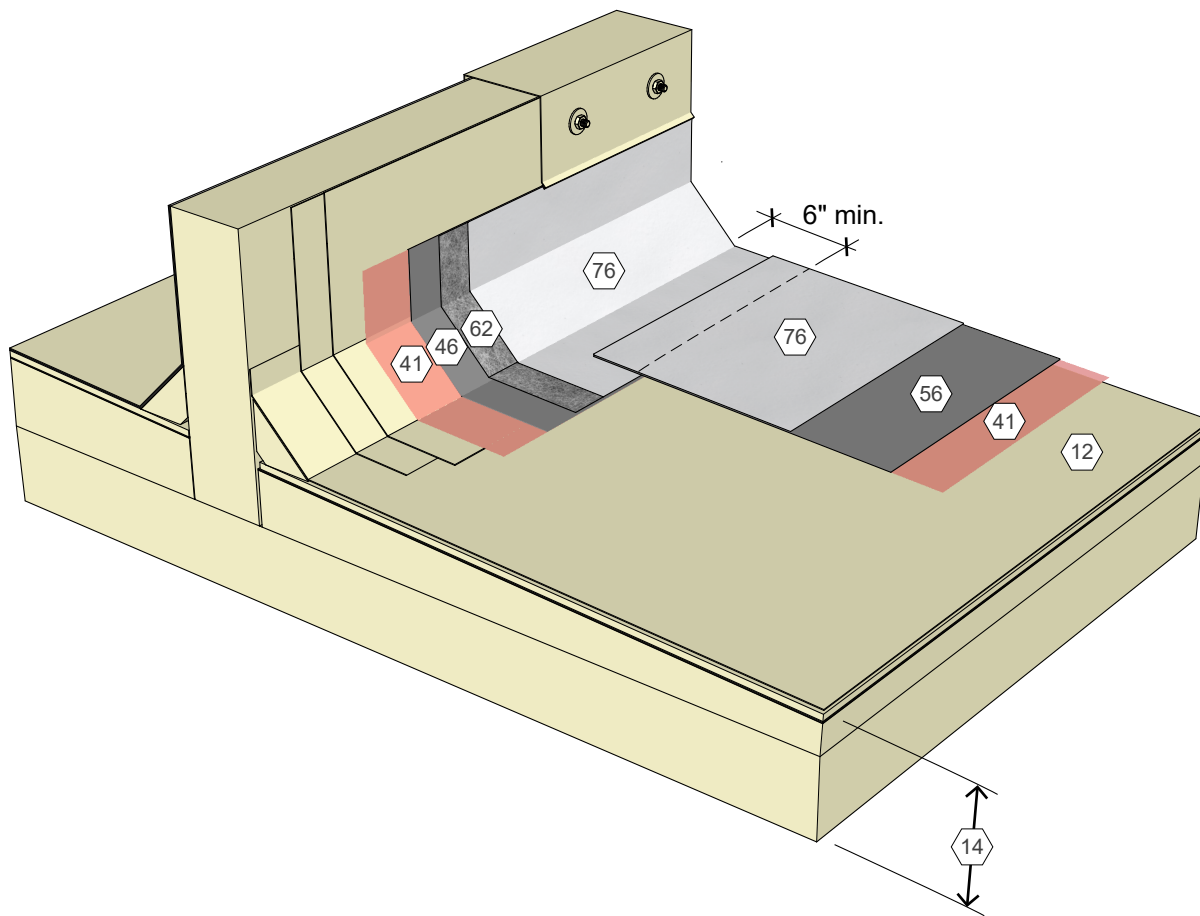


KEY NOTES

- ① Existing Single-Ply Membrane
- ⑭ Existing Structural Deck and Insulation Assembly
- ④ Approved Primer
- ⑥ SOLARGARD Seam Sealer or SOLARGARD 6083 Base Coat
- ⑤ SOLARGARD 6083 Base Coat
- ⑥ Permafab
- ⑦ SOLARGARD 6083 Finish Coat

SOLARGARD® 6083 Restoration Detail, Single-Ply, Equipment Support
 Detail 18101

TREMCO
 ROOFING & BUILDING MAINTENANCE



KEY NOTES

- 12 Existing MB or Smooth BUR
- 14 Existing Structural Deck and Insulation Assembly
- 41 Approved Primer
- 46 SOLARGARD Seam Sealer or SOLARGARD 6083 Base Coat
- 56 SOLARGARD 6083 Base Coat
- 62 Permafab
- 76 SOLARGARD 6083 Finish Coat

SOLARGARD® 6083 Restoration Detail, MB or Smooth BUR, Equipment Support
 Detail 18102